

Installation Instructions

Eibach Inc .264 Mariah Circle Corona, CA 92879 USA Tech Support 800-507-2338 ext. 114



PRO COILOVER 2.0 #E86-63-045-01-20

Kit Contents

Description	Part Number	Quantity
Coilover Assembly 2.0	6301.9003	2
Height Adjustment Tool	ETCO 2.0	1

Tool List

17mm socket or wrench	3/8" torque wrench	Pry bar
19mm socket or wrench	1/2" torque wrench	
14mm socket or wrench		

Notes

Read all instructions before beginning installation

Only qualified mechanics experienced in the installation and removal of suspension components should perform this installation.

Use of a hoist and screw jack is highly recommended and will substantially reduce installation time.

Never work on or under a vehicle unless it is properly supported.

Installation



Step 1

Step 1. Lift truck and remove both front wheels



Step 2

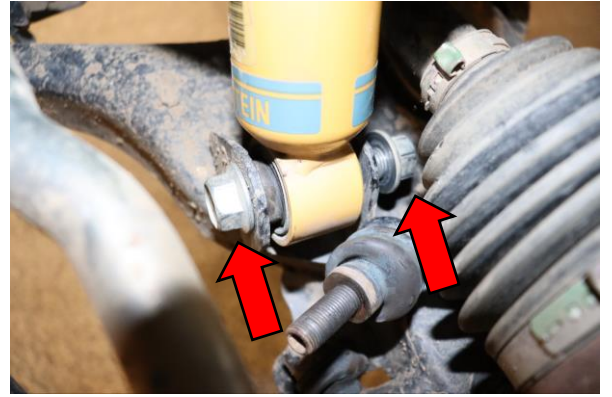
Step 2. Remove 17mm nut from sway bar end of front sway bar end link both front corners



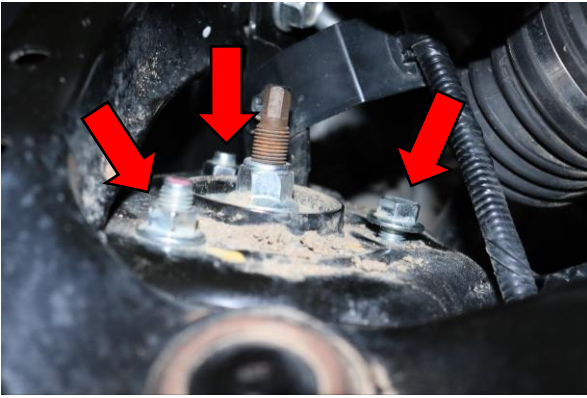
Step 3

Step 3. Rotate front sway bar out of way of lower shock bolt

Step 4. Remove lower shock 19mm bolt and 19mm nut



Step 4



Step 5

Step 5. Remove the 3x 14mm nuts holding the shock to the chassis.

Step 6. Remove shock assembly from truck



Step 6



Step 7

Step 7. Install new shock assembly

Step 8. Loosely Install lower shock 19mm bolt and 19mm nut



Step 8



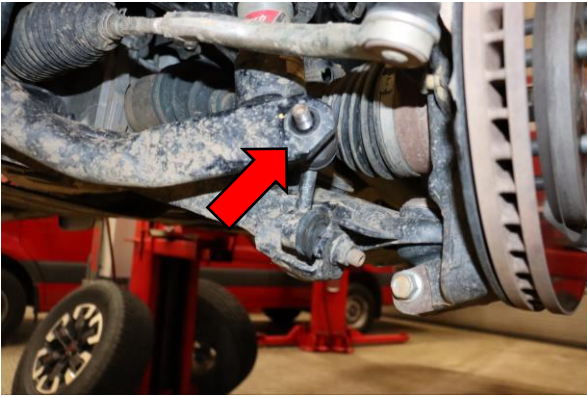
Step 9

Step 9. Install three 14mm nuts on upper shock mount and torque to 22 ft-lbs



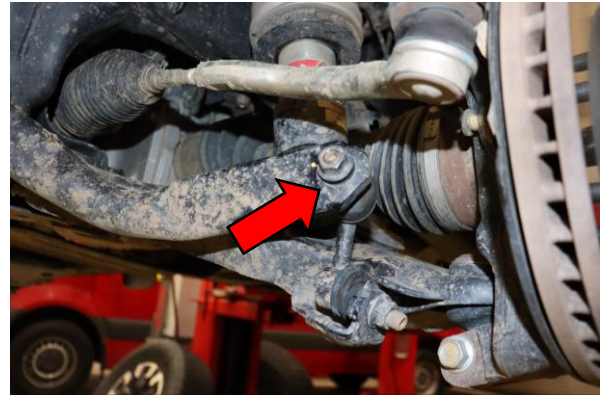
Step 10

Step 10. Torque lower shock 19mm bolt and 19mm nut to 98 ft-lbs



Step 11

Step 11. Rotate sway bar into position

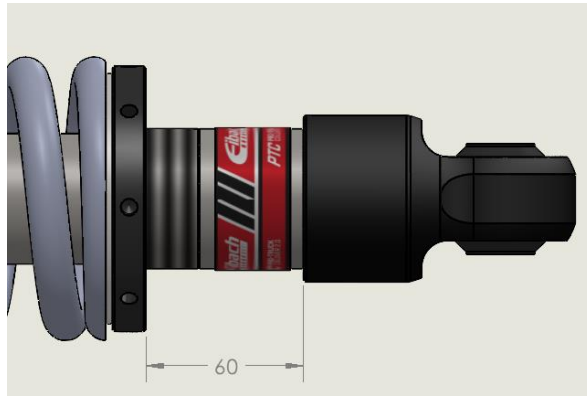


Step 11b

Step 11b. Install 17mm nut on both front sway bar end links and torque to 69 ft-lbs



Step 12. Install both front wheels. Lower vehicle and torque wheels to Double check to make sure everything is properly positioned and tightened, then, road test the vehicle and retighten if necessary.



Note: Do NOT go above a spring collar height of 60mm from bottom of collar to base, as shown or else damage to the shock and suspension will occur.

Each full turn of the collar will result in approximately 1/8" in change of your ride height.
