

Installation Instructions

Eibach Inc. 264 Mariah Circle Corona, CA 92879
USA Tech Support 800-507-2338 ext. 114



E10-42-058-01-22

2022+ Hyundai Santa Cruz

Notes

Installation of the Eibach rear shock is required to replace the factory Nivomat self-levelling shocks in order to lower the vehicle. Eibach shocks are not self-levelling.

Kit Contents

Description	Part Number	Quantity
Front spring	F11-42-058-01-FA	2
Rear spring	F11-42-058-01-RA	2
Rear shock	4201.8002	2
Front bump stop	BS770165	2
Rear bump stop	BS770343	2
Bushing Spacer	8001507	4
Stem Spacer	8001508	2

Installation Notes

Read all instructions before beginning installation

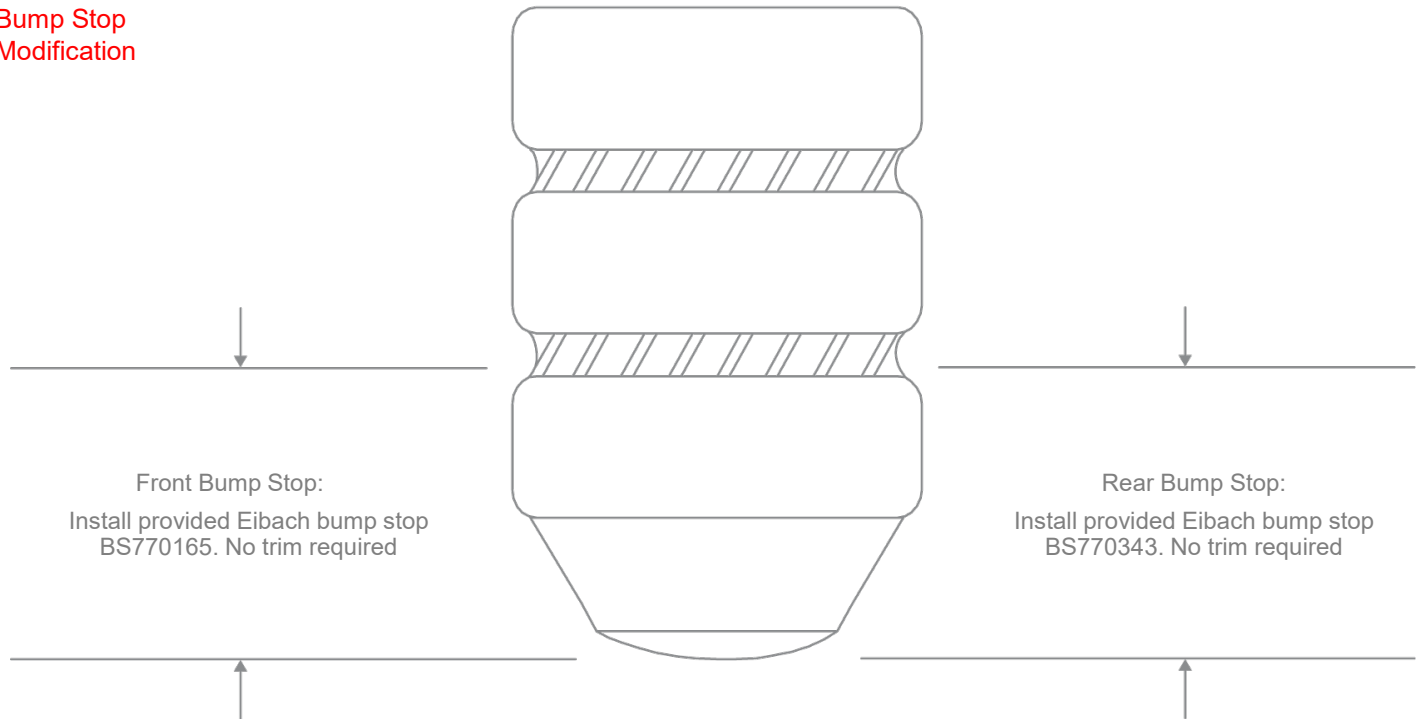
- Only qualified mechanics experienced in the installation and removal of suspension components should perform this installation.
- Use of a hoist and screw jack is highly recommended and will substantially reduce installation time.
- Never work on or under a vehicle unless it is properly supported by safety stands and wheels are blocked.
- Never use impact wrenches or impact guns to install or remove shock absorber piston components, shafts and Piston rod nuts.
- All Eibach springs should be installed with the Eibach logo right-side-up. All original stock spring isolators and dampers should be retained from the stock springs when installing Eibach PRO-KIT springs.
- After Installation, inspect and adjust the following: Wheel Alignment; tire/wheel fender clearance when using aftermarket wheels or tires; brake line clearance and attachments; anti-lock-brake system sensors.
- Tire Rotation: In order to increase the life of your tires, it is recommended to rotate your tires every 3,000 miles.
- For MacPherson Strut type front suspension, it is important to mark the orientation of the upper perch with respect to the lower perch before disassembly. This orientation must remain the same with the installation of the springs. Noise may result if this procedure is not performed correctly.

Installation Instructions

Eibach Inc. 264 Mariah Circle Corona, CA 92879
USA Tech Support 800-507-2338 ext. 114

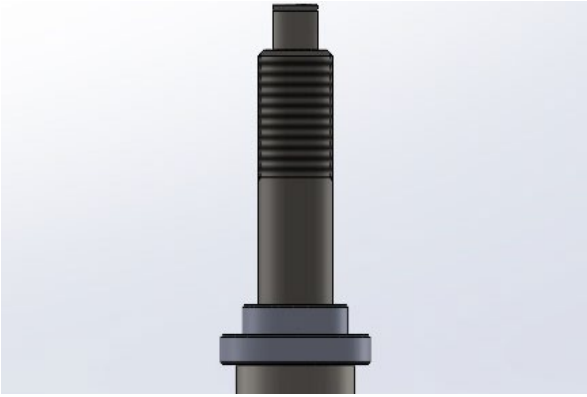


Bump Stop Modification

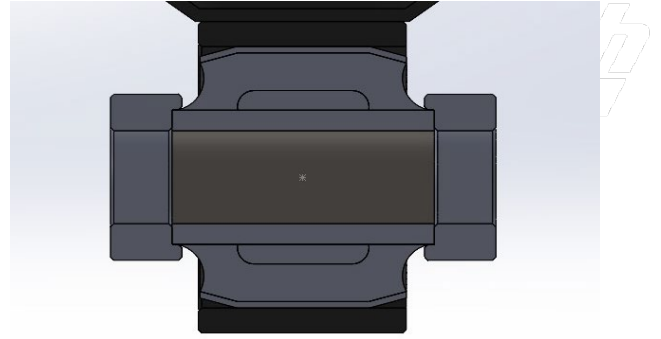


Front Bump Stop:
Install provided Eibach bump stop
BS770165. No trim required

Rear Bump Stop:
Install provided Eibach bump stop
BS770343. No trim required



Install the Stem Spacer in the orientation as shown.



Install Bushing Spacers in the orientation as shown with the stepped side facing inwards.